

R.W. CONKLINSTEEL

100% Melted & Manufactured in the USA

1-888-CONKLIN (266-5546)

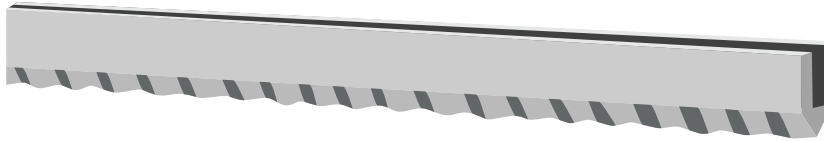
www.conklinsteel.com



SHEET PILING PROTECTORS

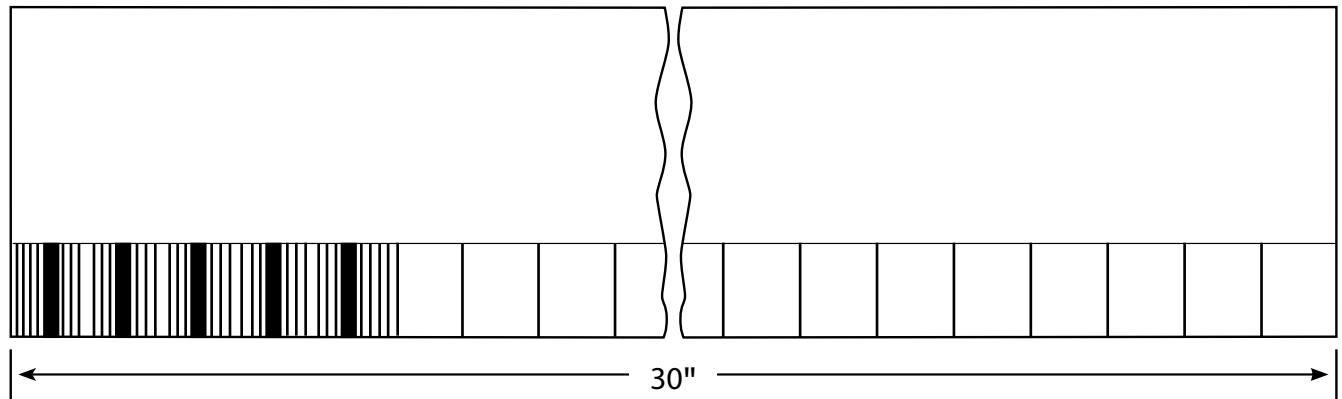
Specifications

PS SHEET PILE PROTECTOR

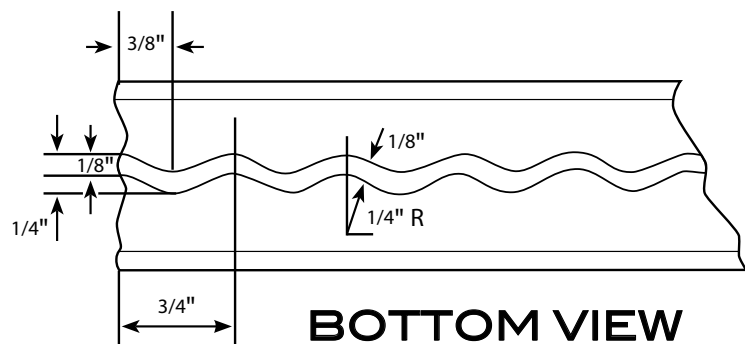
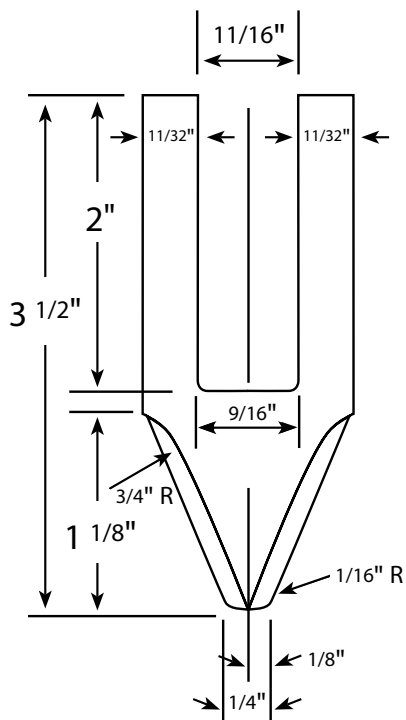


This sheet pile protector is available as a straight bar for fitting to any PS sheet pile section. It comes in 30-inch lengths for job site cutting and easy welding for full end protection.

SIDE VIEW



END VIEW



BOTTOM VIEW